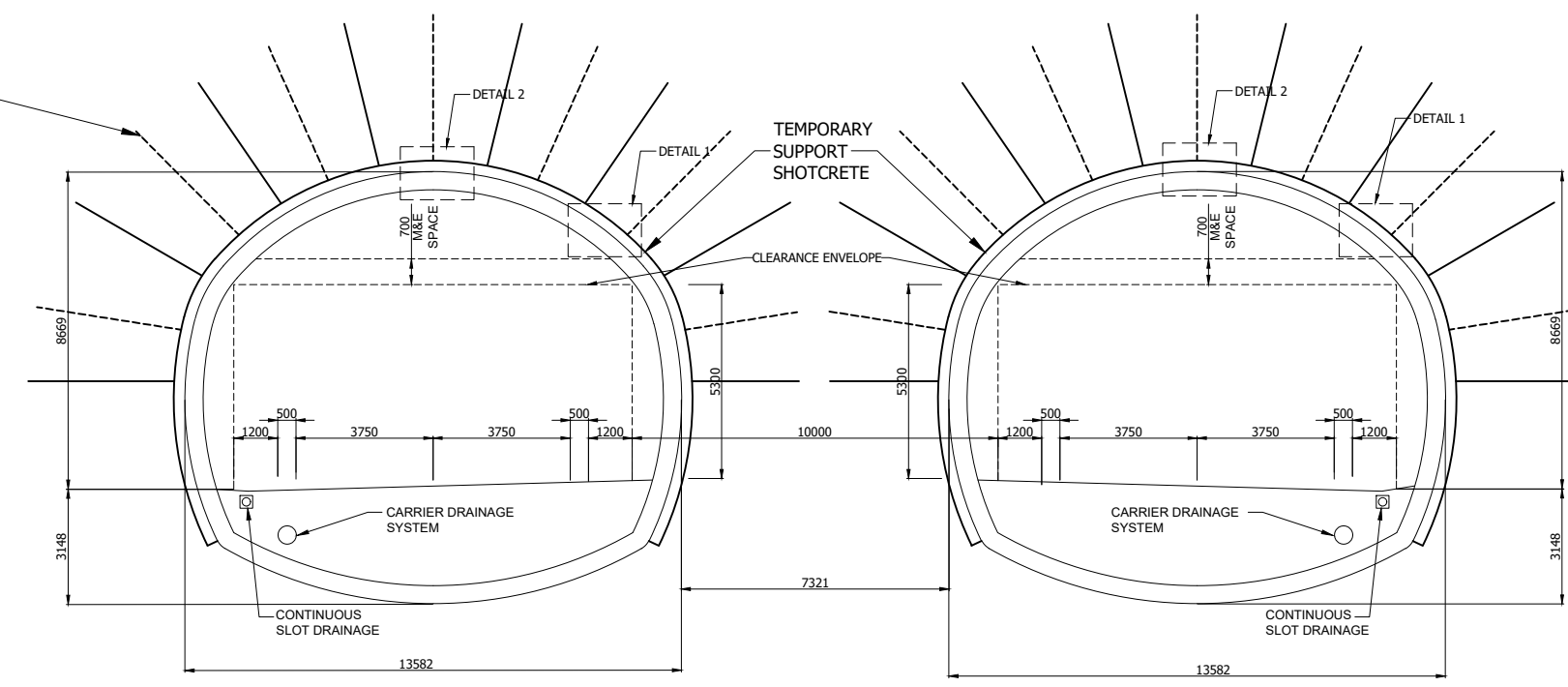


NOTES:
 1. ALL DIMENSIONS IN MILLIMETERS UNLESS OTHERWISE STATED.
 2. DRAWING TO BE READ IN CONJUNCTION WITH ALIGNMENT DRAWINGS AND TUNNEL PLAN AND PROFILE DRAWINGS.

SYSTEMATIC DOWELS (SUCCESSIVE DOWELS TO BE INSTALLED IN STAGGERED ARRAYS)

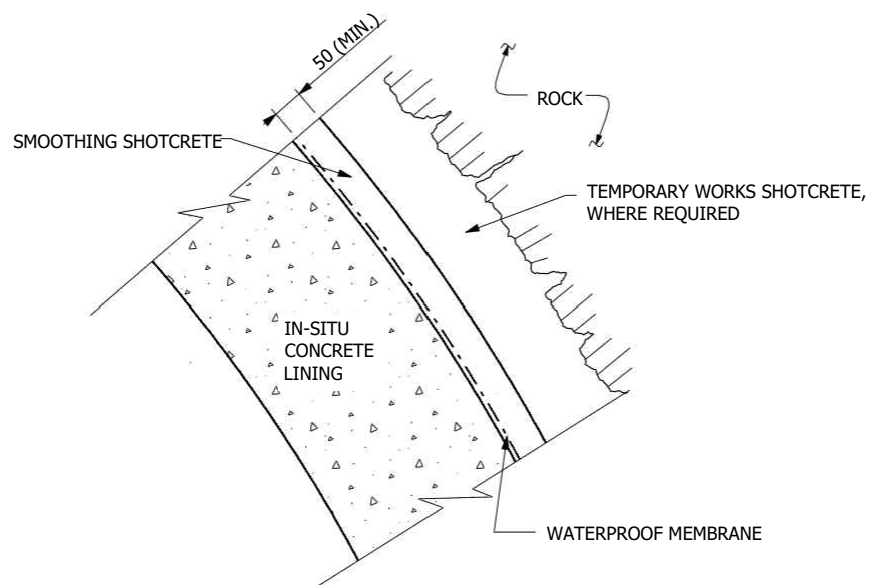


SEE DRG. GCOB-D-S11001-013 FOR TYPICAL DETAILS OF TEMPORARY SUPPORT MEASURES

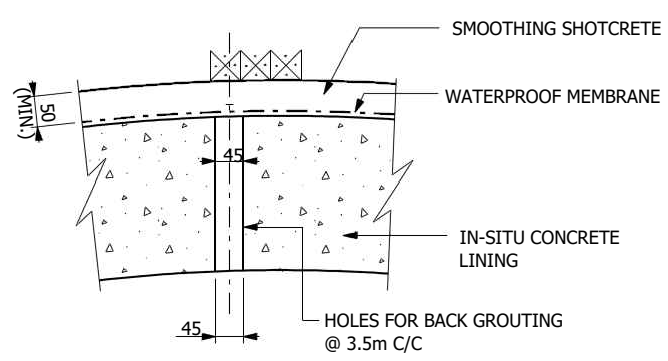
EASTBOUND BORE

WESTBOUND BORE

TYPICAL CROSS SECTION FOR LACKAGH TUNNEL
 Scale 1:100 @ A1



DETAIL 2



DETAIL 1

Clients

Consultant

Corporate House
 City East Business Park
 Ballybrit, Galway, Ireland.

Tel +353 (0)91 460675
 www.N6GalwayCity.ie
 www.arup.ie

Job Title
N6 Galway City Ring Road

Scale
 As Shown

Date
 February 2018

Issue	Date	By	Chkd	Appd
I4	22/02/2018	KJ	PS	JC
I3	14/09/2017	KJ	PS	JC
I2	08/06/2017	KJ	PS	JC
I1	27/02/2017	DC	PS	JC

Drawing Title
Lackagh Tunnel and Western Approach Mined Tunnel General Arrangement

Drawing Status
For Information

Job No
233985

Drawing No
GCOB-D-S11-01-011

Issue
14